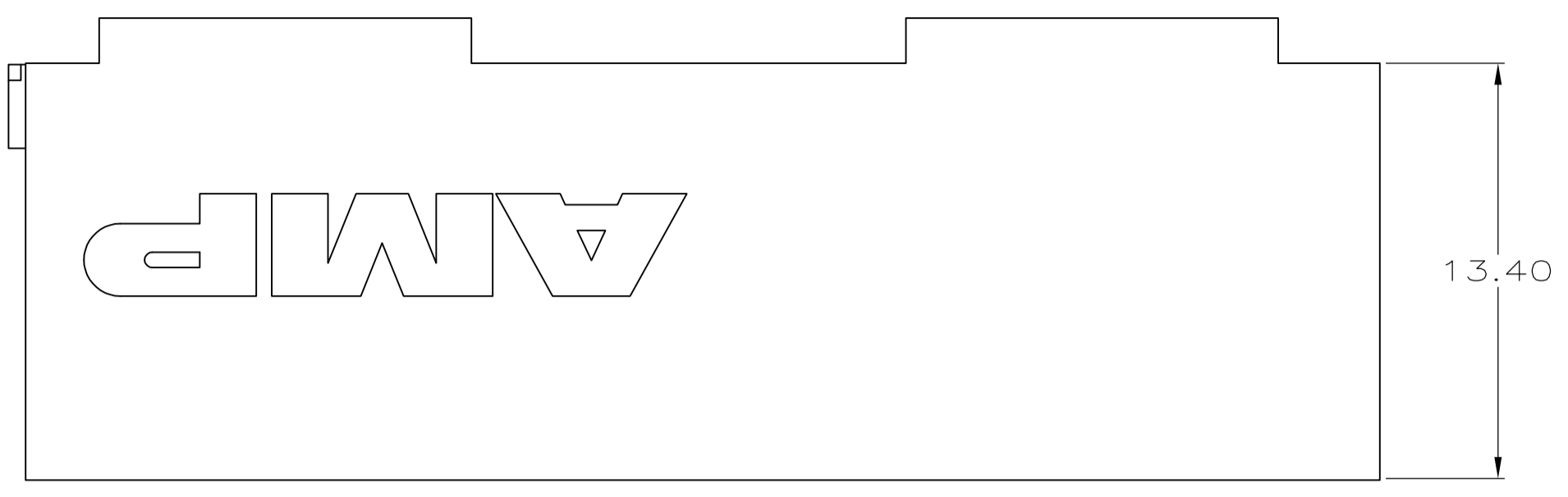
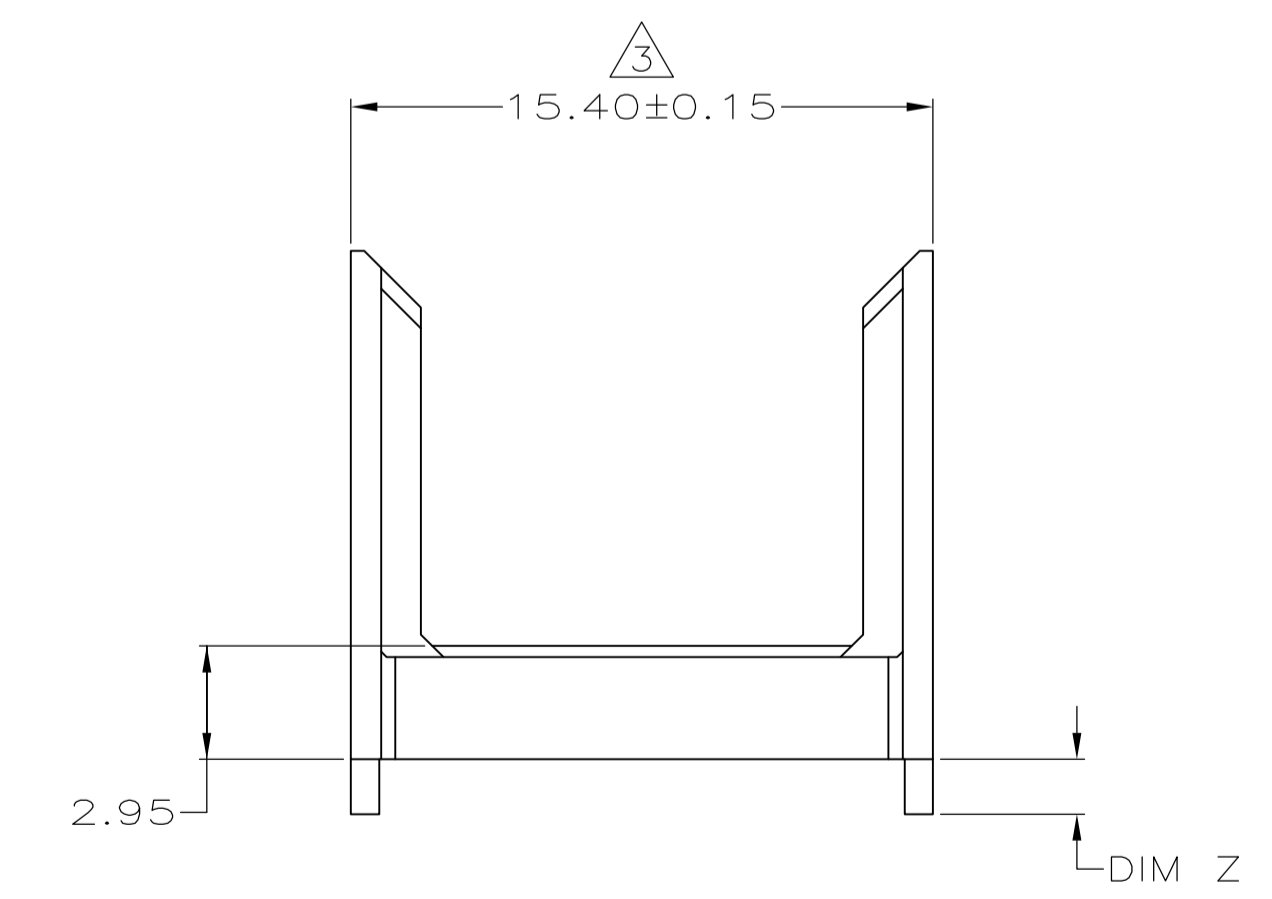
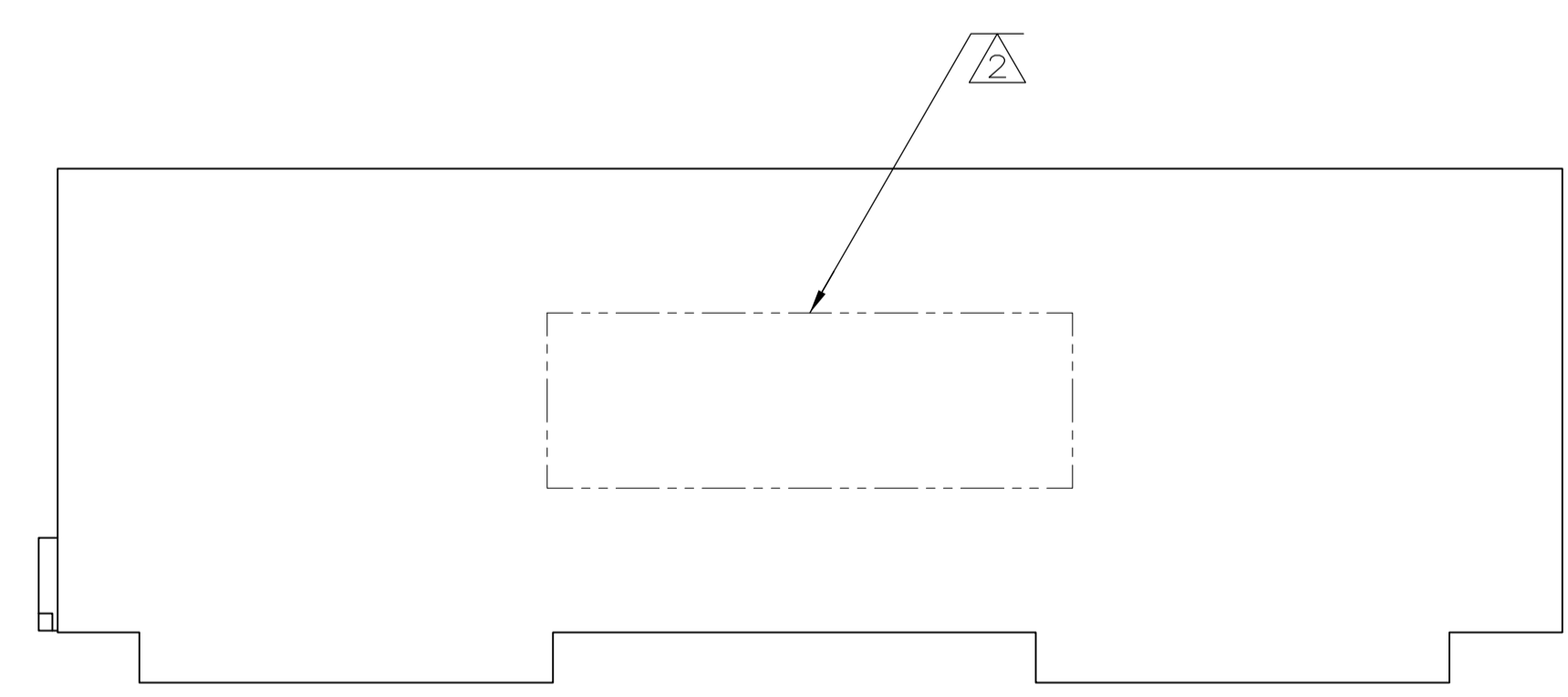
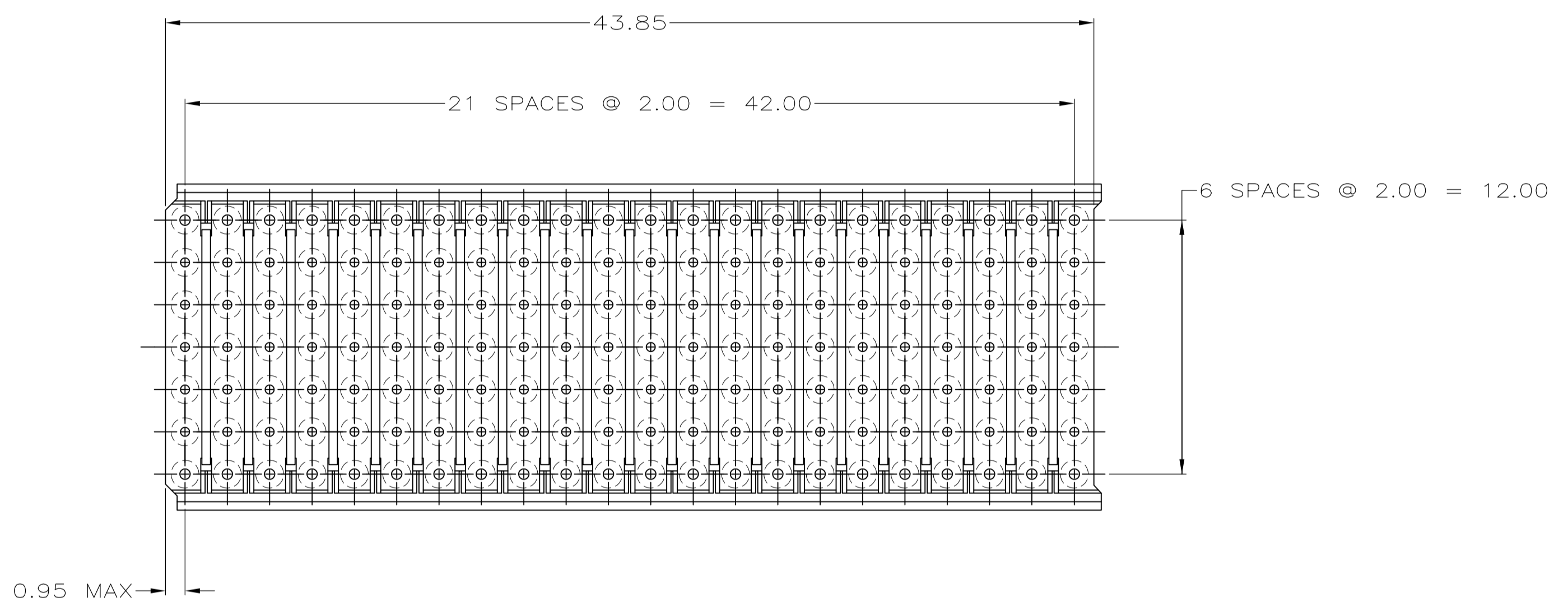


LOC		DIST		REVISIONS			
AD	47	SP	LTR	DESCRIPTION	DATE	DWN	APVD
		C		REV PER EC 0U1B-0192-01	27 JUN 01	BC	RP
		C1		REVISED PER ECO-10-000443	15JAN10	KK	AEQ
		D		ECR-10-019054	15SEP10	DP	MQW



- △ MATERIAL: GLASS FILLED POLYESTER.
- △ PART NUMBER MARKED IN APPROXIMATE AREA SHOWN.
- △ TO BE MEASURED AT BASE OF SHROUD.
- △ OBSOLETE PARTS: OBSOLETE CIS STREAMLINING PER D.RENAUD/D.SINISI



△ OBSOLETE	1.90	646482-7
△ OBSOLETE	1.70	646482-6
	1.50	646482-5
	1.30	646482-4
△ OBSOLETE	1.10	646482-3
	0.90	646482-2
		646482-1
	DIM Z	PART NUMBER

THIS DRAWING IS A CONTROLLED DOCUMENT

DWN: T. SHUEY 9-29-98  
 CHK: G. SKIPPER 11-23-98  
 APVD: G. SKIPPER 11-23-98

AMP Incorporated  
 Harrisburg, PA 17105-3608

NAME: SHROUD, TYPE B,Z-PACK 2mm HM,  
 5 ROW, 154 POSITION

SIZE: A100779 C-646482  
 SCALE: 5:1 SHEET: 1 OF 1 REV: D

MATERIAL: △  
 FINISH: —  
 WEIGHT: —  
 APPLICATION SPEC: —  
 PRODUCT SPEC: —  
 DIMENSIONS: mm  
 TOLERANCES UNLESS OTHERWISE SPECIFIED:  
 0-PLC ±  
 1-PLC ±  
 2-PLC ±0.05 ±0.2  
 3-PLC ±  
 4-PLC ±  
 ANGLES: —

CUSTOMER DRAWING